



INSTALLATION GUIDE, 240V

Aurelia Chandelier Triple, Pendant Light



12
KG

HEAVY

REINFORCEMENT BEHIND SUBSTRATE REQUIRED,
PLEASE CHECK WITH INSTALLER PRIOR TO INSTALLATION.
SUITABLE FIXINGS REQUIRED.



FRAGILE FINISHES

PLEASE WEAR GLOVES DURING INSTALL



INSTALLATION GUIDE

Attention!

Please carefully read instructions before use

PRODUCT:	Aurelia Chandelier Triple, Pendant Light 240V
PRODUCT CODE:	MARZ-AUR-P-CH-TRI
RATED VOLTAGE:	220-240VAC
FREQUENCY:	50 HZ
FITTING:	3 lamp 4W LED
LAMP TYPE:	G9

DANGER: Lights must be installed by a qualified electrician. Electric shock risk.

- Turn off electrical power before beginning installation and use caution when installing.
- Please do not modify or adjust any fixture in a way that is not clearly stated or intended.
- Always ensure the power is off and the luminaire has cooled down before performing any maintenance to the fitting.
- To avoid injury or damage to the luminaire, ensure that power leads and screws are secure before connecting the power.
- Select a suitable location away from liquids and hazards.
- Ensure that the luminaire does not come in contact with corrosive chemicals/solvents or abrasive cleaners etc.
- To avoid electric shock, do not touch this item if your hands are wet.
- To clean, wipe with a soft damp cloth. Do not soak or immerse the luminaire in water or other liquids.
- Do not use if any breakage or distortion is found on the wiring or socket, or if the products have been wet.
- Marz Designs is not responsible for any damages caused by not following the provided instructions.

This luminaire is intended for mounting to a ceiling:

- Carefully check luminaire and wiring for damage before use. Do not use the fixture if it is damaged.
- Ensure that local voltage and frequency match the marking.
- For indoor use only.
- Do not disassemble the structure of the fixture.
- Do not leave children alone with the product.

- If the external flexible cable or cord of this luminaire is damaged, it shall be exclusively replaced by the manufacturer to avoid hazard.
- Please use reliable suspending and fixing devices to avoid danger.
- This is a Class I device and must be connected to a protective grounding.
- Terminal block and connection box is not included.
- Only qualified personnel may install this device. Please observe national installation regulations.

Terminal block shall conform to IEC 60998-2-1 or IEC 60998-2-02 and must comply with the following specifications:

- With screw or screw-less terminal
- Two terminal poles;
 - Rated voltage: 250V
 - Rated connecting capacity: 10 A; 3 x 0.75-1.5mm²
- During installation, ensure that the basic insulation of the supply lead does not touch the ceiling cover. Use proper insulation so that the clearance and distance between the live parts and the ceiling cover is more than 6.5mm between the basic insulation of the supply lead and 3.6mm between the ceiling cover.
- Keep the terminal block inside the ceiling cover or fixed to the ceiling.

Two person install





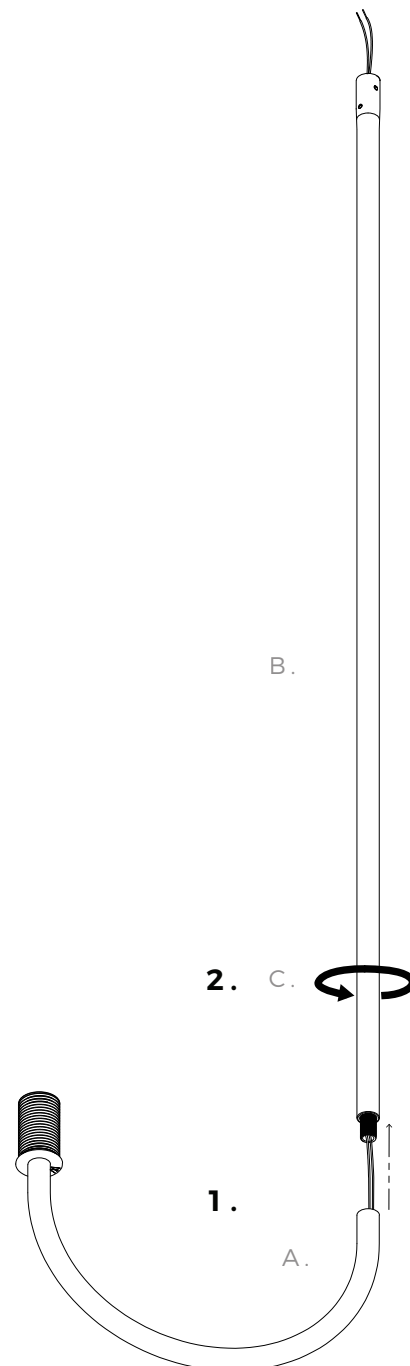
ASSEMBLY GUIDE, 240V

Aurelia Chandelier Triple, Pendant Light

Assembling the pendants

1. Feed the Cable from the Curved Rod (A) through the Straight Rod (B).
2. Wind Threaded Insert (C) into the rod to connect the rod lengths together. Repeat Step 1 & 2 two more times.

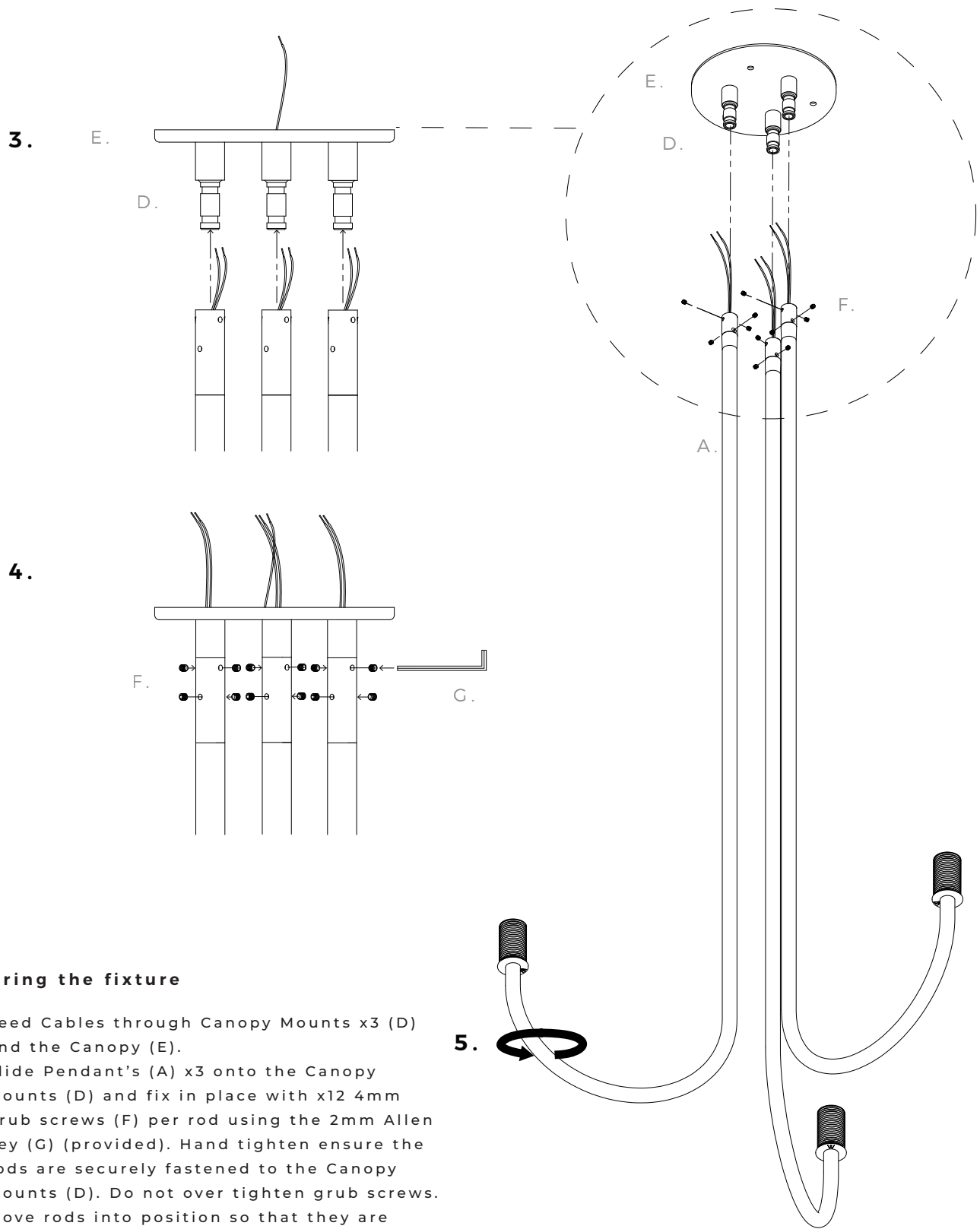
Note: If additional rod lengths are required, repeat these steps. Do not offset the pendant. Rod extensions must be added in equal amounts.





ASSEMBLY GUIDE, 240V

Aurelia Chandelier Triple, Pendant Light



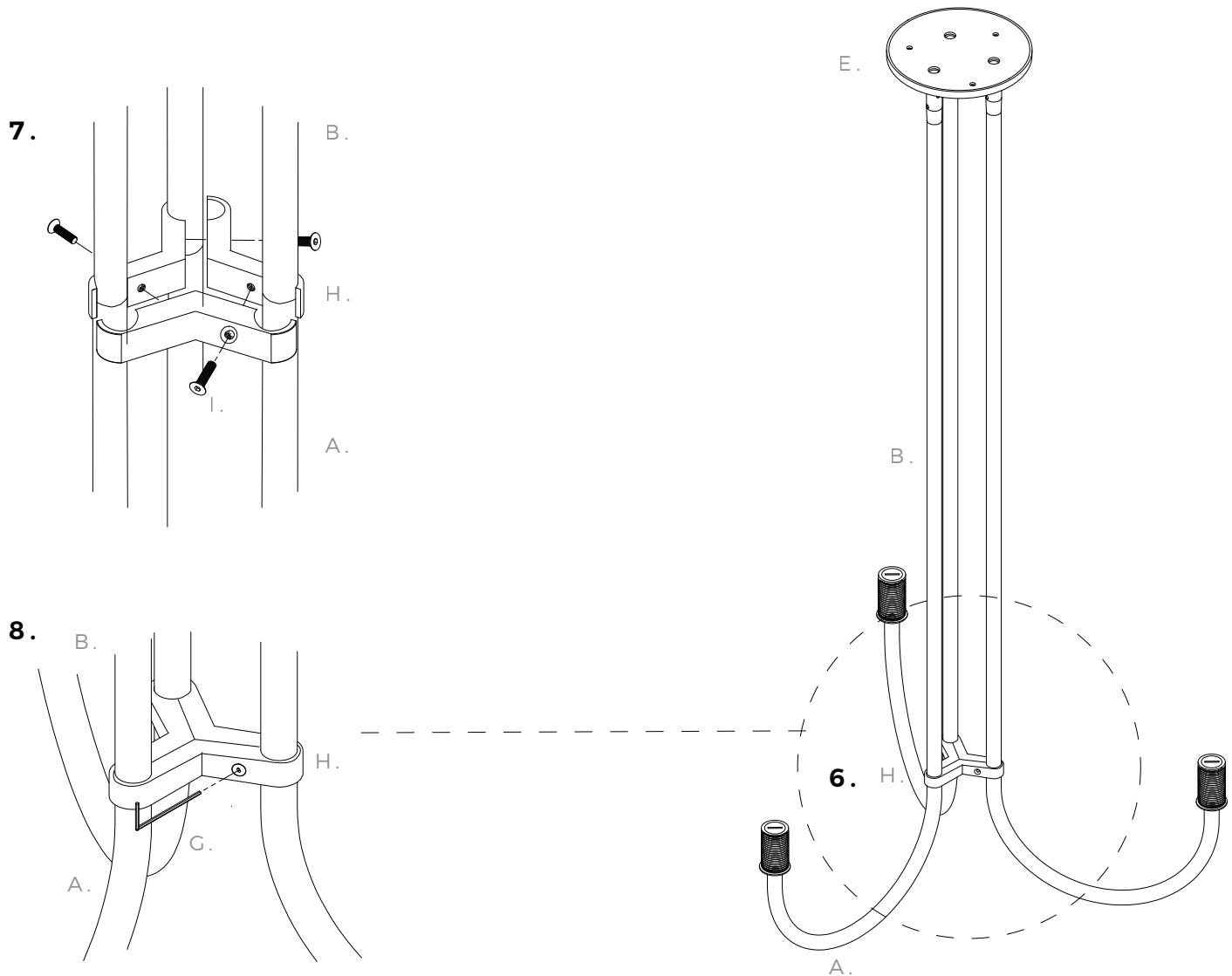
Securing the fixture

3. Feed Cables through Canopy Mounts x3 (D) and the Canopy (E).
4. Slide Pendant's (A) x3 onto the Canopy Mounts (D) and fix in place with x12 4mm grub screws (F) per rod using the 2mm Allen key (G) (provided). Hand tighten ensure the rods are securely fastened to the Canopy Mounts (D). Do not over tighten grub screws.
5. Move rods into position so that they are roughly symmetrical.



ASSEMBLY GUIDE, 240V

Aurelia Chandelier Triple, Pendant Light



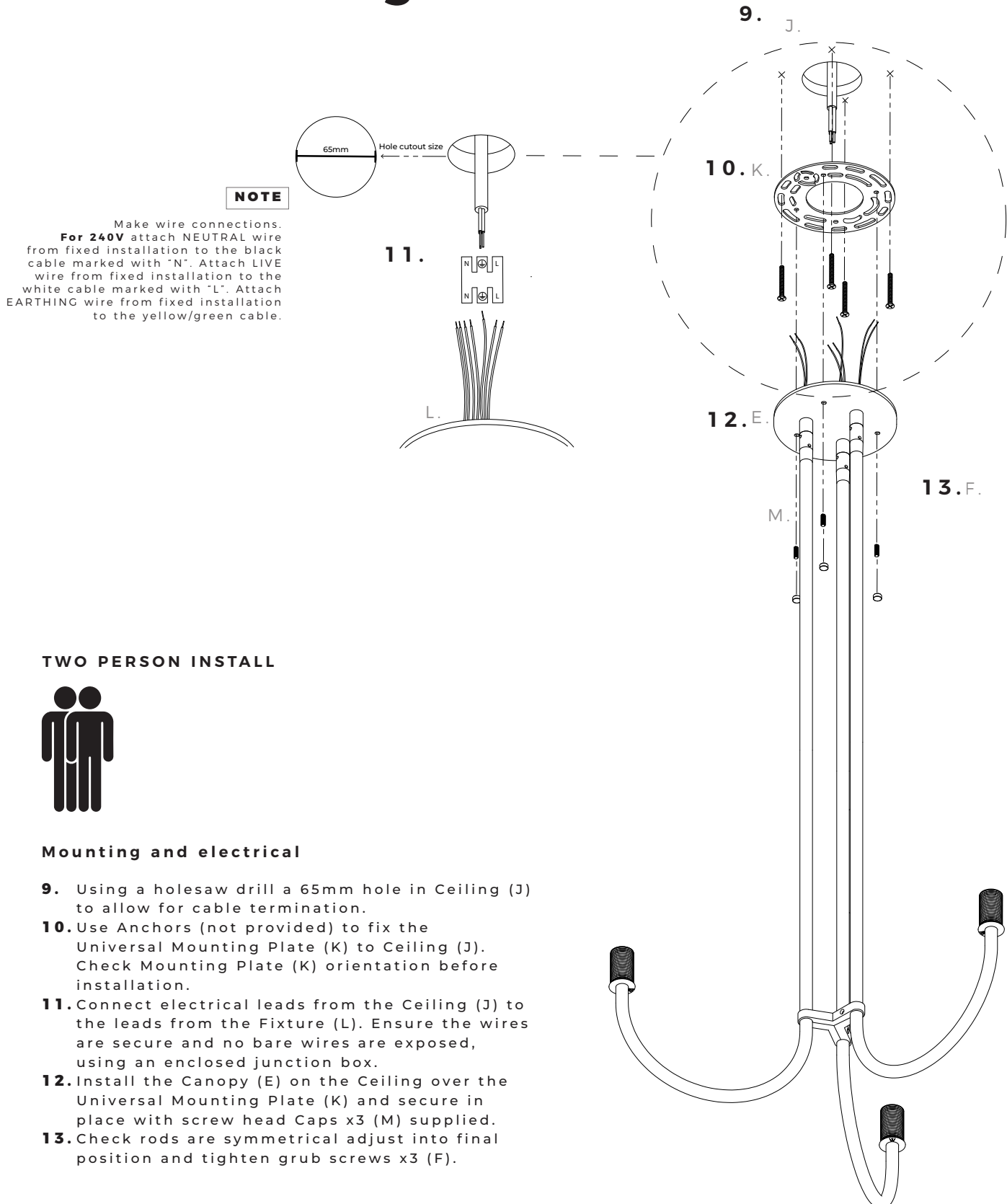
Joining the pendants

6. If the Pendants are not aligned, lightly loosen the grub screws using the 2mm Allen key (G) (provided), adjust the Pendants accordingly and re-tighten the grub screws.
7. Apply the Rod Clamps x3 (H) to the assembly by clamping the two sides onto the Pendants. Place the Rod Clamps x3 (H) over the connection seams of the Rods (A&B)
8. Secure the clamps together with 3x 16mm m3 countersunk screws (I) (provided) using the 2mm Allen key (G) (provided).



INSTALLATION GUIDE, 240V

Aurelia Chandelier Triple, Pendant Light



NOTE

Make wire connections.
For 240V attach NEUTRAL wire from fixed installation to the black cable marked with "N". Attach LIVE wire from fixed installation to the white cable marked with "L". Attach EARTHING wire from fixed installation to the yellow/green cable.

TWO PERSON INSTALL



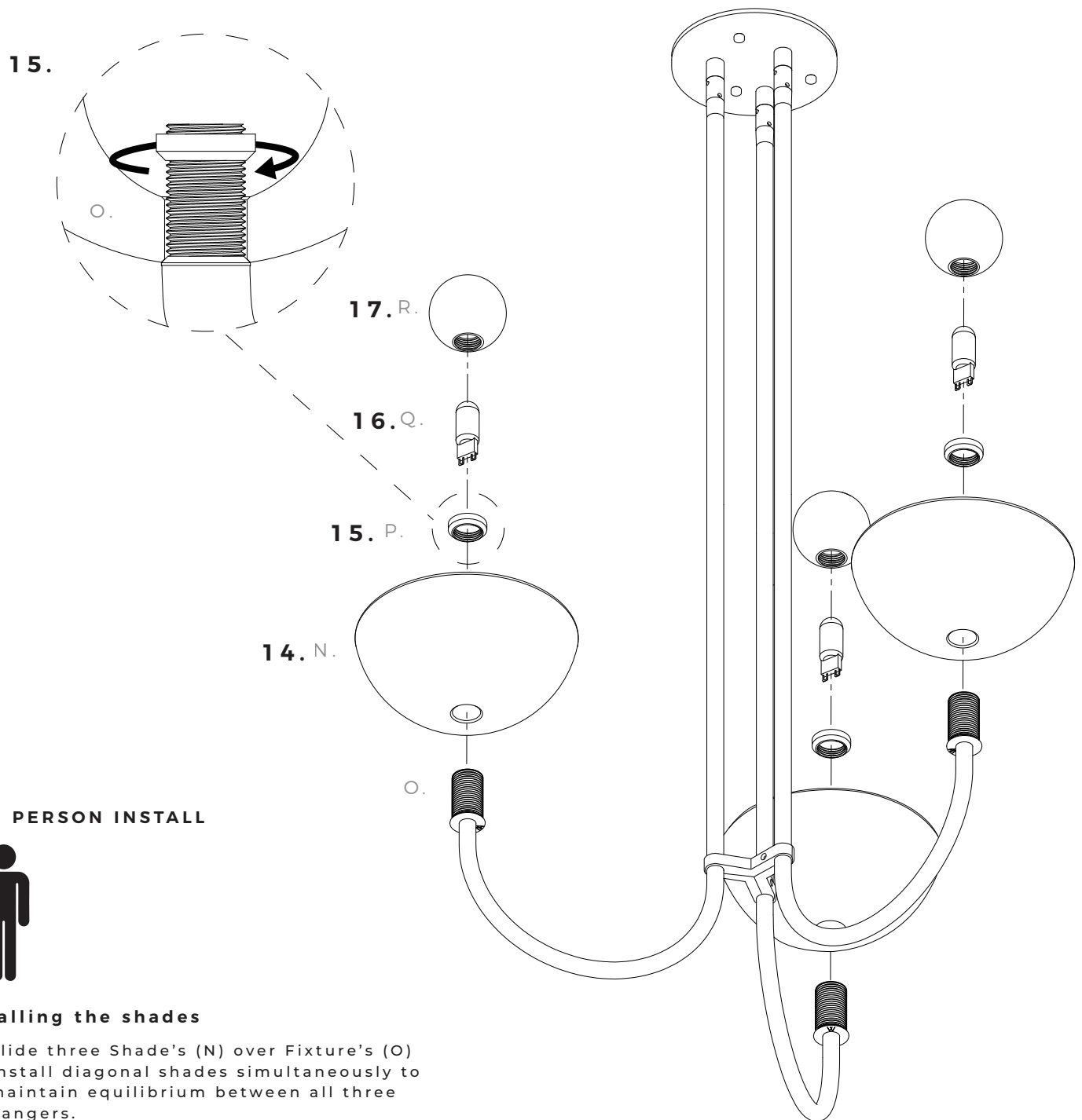
Mounting and electrical

- 9. Using a holesaw drill a 65mm hole in Ceiling (J) to allow for cable termination.
- 10. Use Anchors (not provided) to fix the Universal Mounting Plate (K) to Ceiling (J). Check Mounting Plate (K) orientation before installation.
- 11. Connect electrical leads from the Ceiling (J) to the leads from the Fixture (L). Ensure the wires are secure and no bare wires are exposed, using an enclosed junction box.
- 12. Install the Canopy (E) on the Ceiling over the Universal Mounting Plate (K) and secure in place with screw head Caps x3 (M) supplied.
- 13. Check rods are symmetrical adjust into final position and tighten grub screws x3 (F).



INSTALLATION GUIDE, 240V

Aurelia Chandelier Triple, Pendant Light



TWO PERSON INSTALL



Installing the shades

- 14.** Slide three Shade's (N) over Fixture's (O)
Install diagonal shades simultaneously to maintain equilibrium between all three hangers.
Note: Do not install individually.
- 15.** Wind Bevel Nut (P) onto Fixture (N) to secure Shade (N) in place. Repeat for all three fixtures.
- 16.** Push the Light Globe (Q) into the Fixture Socket(O). Repeat to all four fixtures.
- 17.** Screw the Glass Cover (R) onto the Fixture Socket. Repeat for all three fixtures. **CAUTION:** Align threads properly for a smooth rotation before twisting to avoid jamming. Do not over-tighten the globe.