

Aurelia Chandelier, Narrow Pendant Light



MARZ DESIGNS

info@marzdesigns.com
+61 (02) 6680 4971

3/1 Boronia Place
Byron Bay NSW 2481

www.marzdesigns.com



Aurelia Chandelier, Narrow Pendant Light

An extension to our Aurelia Collection, drawing from the graceful movement and mesmerising translucence of the ocean's 'moon jellyfish', the Aurelia Chandelier Narrow Pendant offers a contemporary take on a classic chandelier fixture. This multiple-light source fixture creates a narrow oval shape, suitable for residential or commercial lighting.

Details

Size (mm)	885h x 628w x 488d
Glass shade	60mm x 4
Lamp base	G9 push fit x 4
Lamp	220-280V 4W 3000K 410lm LED x 4 100-130V 4.5W 3000K 450lm LED x 4
Voltage	220-280V or 100-130V
Dimmable	Lamp included is compatible with most brand name dimmers
Weight	15.8kg
IP	IP44
Note 1	Stone is a natural product and varies in colour, tone and vein.
Note 2	Heavy item. Reinforcement behind substrate may be required. Please check with installer prior to installation. Suitable fixings required.

Finishes



Brushed Brass



Brushed Black Aluminium



White Satin



Brushed Nickel



White Onyx



Jade Onyx



Cast Glass



Clear Frosted Glass

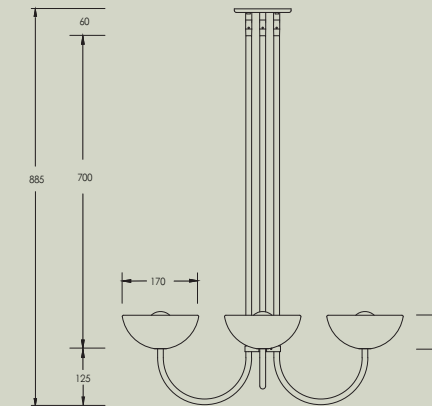


White Frosted Glass

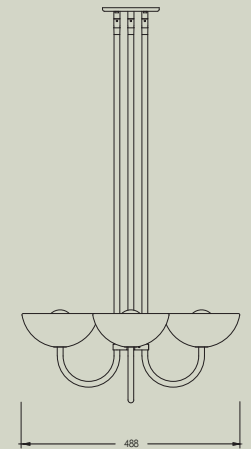


Opal Glass

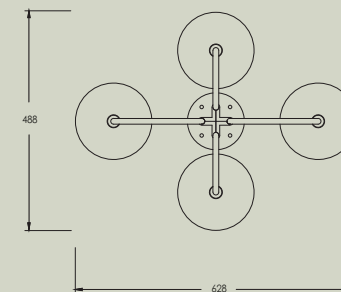
Front view



Side view



Bottom view





Pendant details

Supplied with a fully customisable solid rod.



Solid Rod

5 x Rod lengths available. Connect as many rods together to achieve your desired drop length.

Standard rod length included: 700mm

Other rod lengths include (mm): 90 / 127 / 300 / 500 / 700
The maximum overall rod combination length is 3m.

Finishes



Brushed
Brass



Brushed
Black
Aluminium



White Satin



Brushed
Nickel

