

Aurelia Chandelier, Quad Pendant Light



MARZ DESIGNS

info@marzdesigns.com
+61 (02) 6680 4971

3/1 Boronia Place
Byron Bay NSW 2481

www.marzdesigns.com



Aurelia Chandelier, Quad Pendant Light

An extension to our Aurelia Collection, drawing from the graceful movement and mesmerising translucence of the ocean's 'moon jellyfish', the Aurelia Chandelier Quad Pendant offers a contemporary take on a classic chandelier fixture. Introducing a larger-scale expression to the range, it creates a strong visual presence while maintaining a sense of lightness and fluidity.

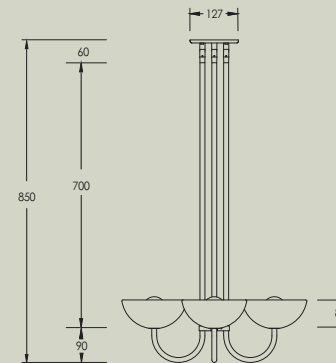
Details

Size (mm) Small	850h x 487w x 487d
Size (mm) Large	885h x 628w x 628d
Class shade	60mm x 4
Lamp base	G9 push fit x 4
Lamp	220-280V 4W 3000K 410lm LED x 4 100-130V 4.5W 3000K 450lm LED x 4
Voltage	220-280V or 100-130V
Dimmable	Lamp included is compatible with most brand name dimmers
Weight	16.5kg
IP	IP44
Note 1	Stone is a natural product and varies in colour, tone and vein.
Note 2	Heavy item. Reinforcement behind substrate may be required. Please check with installer prior to installation. Suitable fixings required.

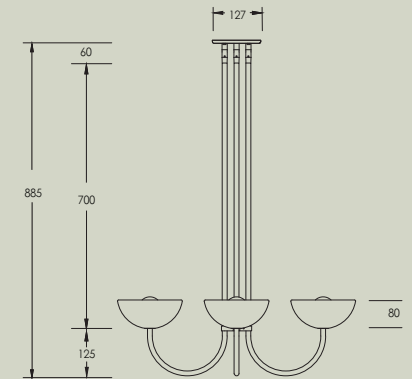
Finishes



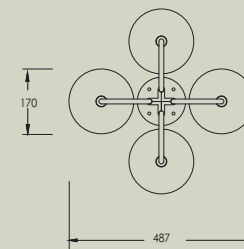
Front view
Small



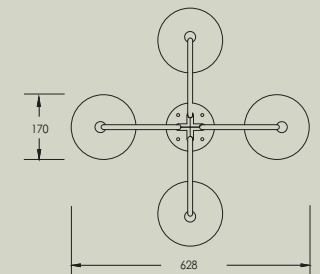
Front view
Large



Bottom view
Small



Bottom view
Large





Pendant details

Supplied with a fully customisable solid rod.



Solid Rod

5 x Rod lengths available. Connect as many rods together to achieve your desired drop length.

Standard rod length included: 700mm

Other rod lengths include (mm): 90 / 127 / 300 / 500 / 700
The maximum overall rod combination length is 3m.

Finishes



Brushed
Brass



Brushed
Black
Aluminium



White Satin



Brushed
Nickel

